

# INSTALLATION AND OPERATING INSTRUCTIONS

## Isomix-F

### **IMPORTANT!**

Before starting work the fitter must carefully read this installation and operation manual, understand and observe its conditions.

The water floor heating control unit may be mounted, operated and maintained only by specially trained personnel. Personnel undergoing training may only work on the product under the supervision of an experienced fitter. Only when the above conditions are fulfilled, the manufacture is responsible for the equipment as provided in the legal regulations.

All instructions in this assembly and operation manual must be observed when working with the water floor heating control unit. Any other application is not in compliance with the regulations. The manufacturer shall not be responsible for incompetent use of the water floor heating control unit. Reconstructions and changes are not acceptable for reasons of safety. The water floor heating control unit may be repaired only by services approved by the manufacturer.

The temperature range and the contents of the set depend on the model and equipment.

### **Subject to technical modification!**

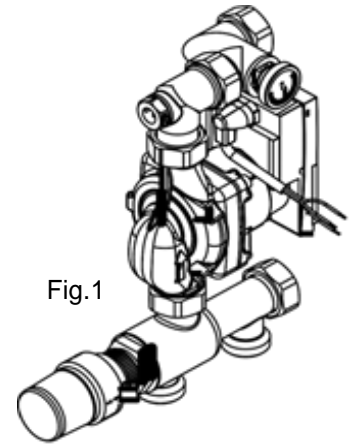


Fig.1

<b>1. RANGE OF APPLICATION</b>	<b>1</b>
<b>2. DETAILS, SYMBOLS AND ABBREVIATIONS</b>	<b>2</b>
<b>3. SAFETY INSTRUCTIONS</b>	<b>2</b>
<b>4. DESIGN</b>	<b>2</b>
<b>5. INSTALLATION AND ELECTRICAL CONNECTION</b>	<b>2</b>
<b>5.1. MOUNTING OF THE CONTROL UNIT</b>	<b>2</b>
<b>5.2. ELECTRICAL CONNECTION</b>	<b>4</b>
<b>5.3. TEMPERATURE LIMITER (TB)</b>	<b>4</b>
<b>6. START-UP</b>	<b>4</b>
<b>6.1. FLUSHING THE HEATING CIRCUITS</b>	<b>4</b>
<b>6.2. ADJUSTMENT OF THE FLOOR HEATING FLOW TEMPERATURE</b>	<b>5</b>
<b>6.3. LIMITATION OF THE FLOOR HEATING FLOW TEMPERATURE</b>	<b>5</b>
<b>7. MODE OF OPERATION OF THE CONTROL UNIT</b>	<b>5</b>
<b>8. TECHNICAL DATA / MATERIALS</b>	<b>5</b>
<b>9. TROUBLESHOOTING</b>	<b>6</b>

## **1. RANGE OF APPLICATION**

- The control unit Isomix-F is developed for maintaining constant flow temperature in low-temperature radiant heating systems. The flow temperature may be adjusted gradually between 20 and 70 °C, by means of the thermostat. The limitation of the adjustment range is possible according to the maximum/minimum temperature. The temperature value can be read from the thermometer of the control unit.
- The control unit is suitable for use in installations with combined panel heating/cooling and radiator heating. In cooling operation the thermostatic head fully opens the 3-way-mixing valve and at the same time closes the bypass. Thereby the flow temperature shall be controlled by the chiller (e.g. combined heat pump heating/cooling).
- The control unit can be mounted either to the right or left of heating circuit manifolds with 1" male thread and distance between supply and return branch of 210 mm. For that it is equipped with union nuts G 1".
- The control unit has been designed for use in dry environments, e.g. in residential rooms, office spaces, and industrial facilities. Usually the unit is installed in the central heating room or in a manifold cabinet.
- Verify that the installation complies with existing regulations before operation to ensure proper use of the installation.

## 2. DETAILS, SYMBOLS AND ABBREVIATIONS

For better understanding in this document references are used in the form of symbols and abbreviations, which are described below:

- ➔ Reference to resuming documents.
- ⓘ Important information and application hints
- ⚠ Safety instructions or important note to the function.
- ⊘ Shut-off: no flow
- ⊙ Open: flow with indication of flow direction

<b>AG</b>	male thread	<b>HK</b>	heating control unit	<b>SKB</b>	gravity flow stop
<b>EUKO</b>	male thread with euro cone	<b>HKM</b>	heating control unit with mixing valve	<b>TB</b>	temperature limiter
<b>FBH</b>	floor heating	<b>HKV</b>	manifold	<b>UM</b>	union nut
<b>FH</b>	radiant heating (generally)	<b>IG</b>	female thread	<b>UWP</b>	circulation pump
<b>FH/K</b>	radiant heating/cooling	<b>MuB</b>	installation leaflet	<b>WDS</b>	heating insulation box
<b>FK</b>	radiant cooling	<b>RV</b>	check valve	<b>WE</b>	boiler / heat generator
<b>FRG</b>	floor heating control unit	<b>KFE</b>	fill and drain cock	<b>WP</b>	heat pump

## 3. SAFETY INSTRUCTIONS



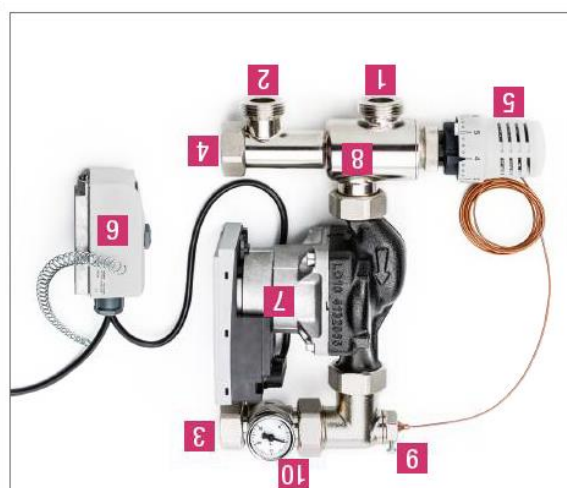
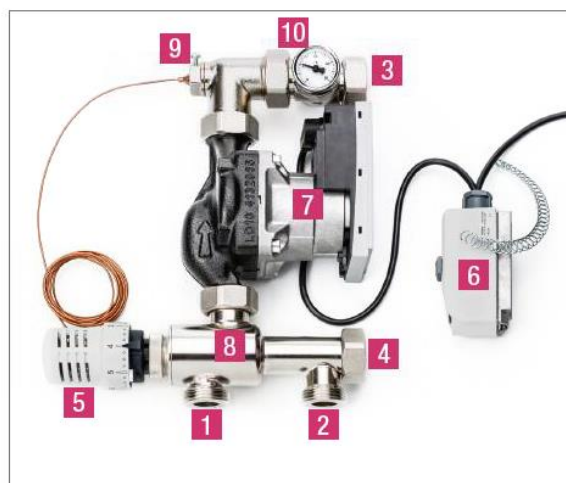
**WARNING: Always disconnect the power supply prior to performing any installation or connection operations!**

All installation and wiring work at the unit must be carried out only in an idle condition. The appliance may be connected and put to operation by qualified personnel only. Make sure to adhere to valid safety regulations, in particular to VDE 0100 (German standard governing power installations with nominal voltages ≤ 1000 VAC).

⚠ The control units are neither splash- nor drip-proof. Therefore, they must be mounted in a dry place.

## 4. DESIGN

- 1: Primary supply (1" AG)
- 2: Primary return (1" AG)
- 3: Floor heating/cooling supply (1" UM)
- 4: Floor heating/cooling return (1" UM)
- 5: Thermostatic head
- 6: Temperature limiter (optional)
- 7: Circulation pump
- 8: 3-way-mixing valve with check valve (RV)
- 9: thermowell for temperature sensor
- 10: Z-type fitting with immersion sleeve for supply temperature sensor.



## 5. INSTALLATION AND ELECTRICAL CONNECTION

### 5.1. MOUNTING OF THE CONTROL UNIT

The unit is dedicated for flat sealing connecting to a manifold with 1" male thread and distance between supply and return branch of 210 mm.

Please pay attention not to damage or break the cables of the pump and temperature limiter as well as the capillary pipe of the thermostatic heads remote sensor while assembling. The cables must be installed without tension. The correct installation of supply and return has to be ensured (Fig.2 and Fig.3.1 – 3.4).

**Installation diagram radiator and floor heating**  
Separated ascending pipes

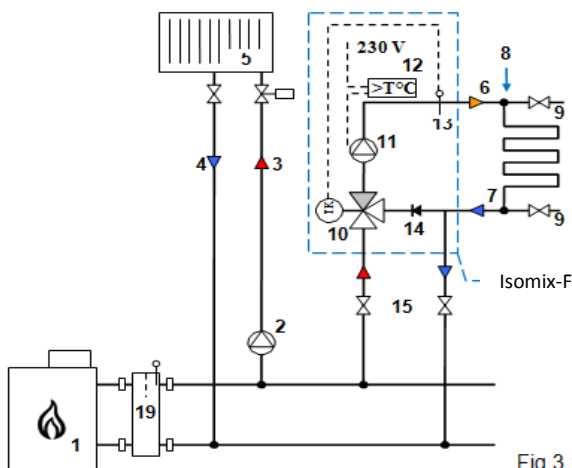


Fig.3.1

**Installation diagram radiator and floor heating**  
Common ascending pipe

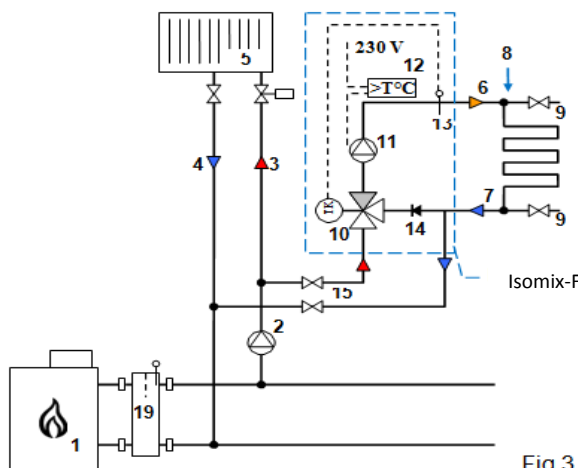


Fig.3.2

**Installation diagram floor heating/cooling**  
Separated boiler and chiller

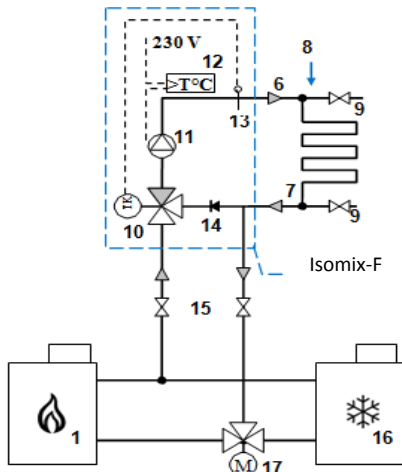


Fig.3.3

**Installation diagram floor heating/cooling**  
Reversible heat pump (for heating and cooling)

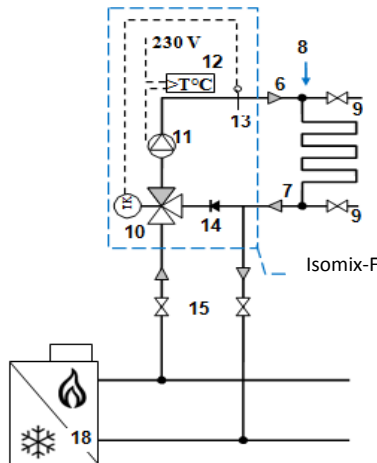


Fig.3.4

- 1 Boiler
- 2 Circulation pump boiler / radiator circuit
- 3 Boiler / Radiator supply
- 4 Boiler / radiator return
- 5 Radiator
- 6 FH/K supply
- 7 FH/K return
- 8 Manifold (HKV)
- 9 Fill and drain cocks (KFE)
- 10 3-way mixing valve with thermostatic head
- 11 Circulation pump for FH/K
- 12 Temperature limiter (option)
- 13 Remote sensor of thermostatic head
- 14 Check valve
- 15 Shut-off valves (recommendable)
- 16 Chiller
- 17 Zone valve
- 18 Reversible heat pump (heating and cooling)
- 19 Hydraulic switch

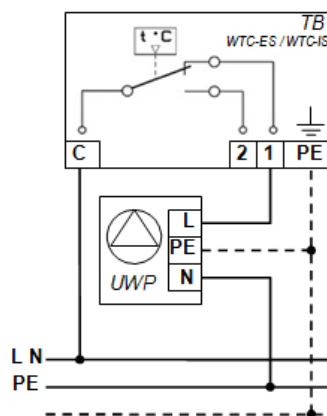


Fig.4

**5.2. ELECTRICAL CONNECTION**

All electrical connections must be performed by an authorised specialist in accordance with the local regulations governing electrical installation work. The electrical cables must not come into contact with any hot parts.

Both the circulation pump and the temperature limiter are connected with cables ex-works (see Fig.4). The power supply has to be established on site.

In order to make sure that the pump only runs if heat requirement exists, the manufacturer recommends connecting it to a pump relay (e.g. pump logic of an electrical connection box which controls the actuators). Alternatively operate the pump by means of a timer.

➔ Further information about electrical connections exists in the MuB of the pump and temperature limiter

**5.3. TEMPERATURE LIMITER (TB)**

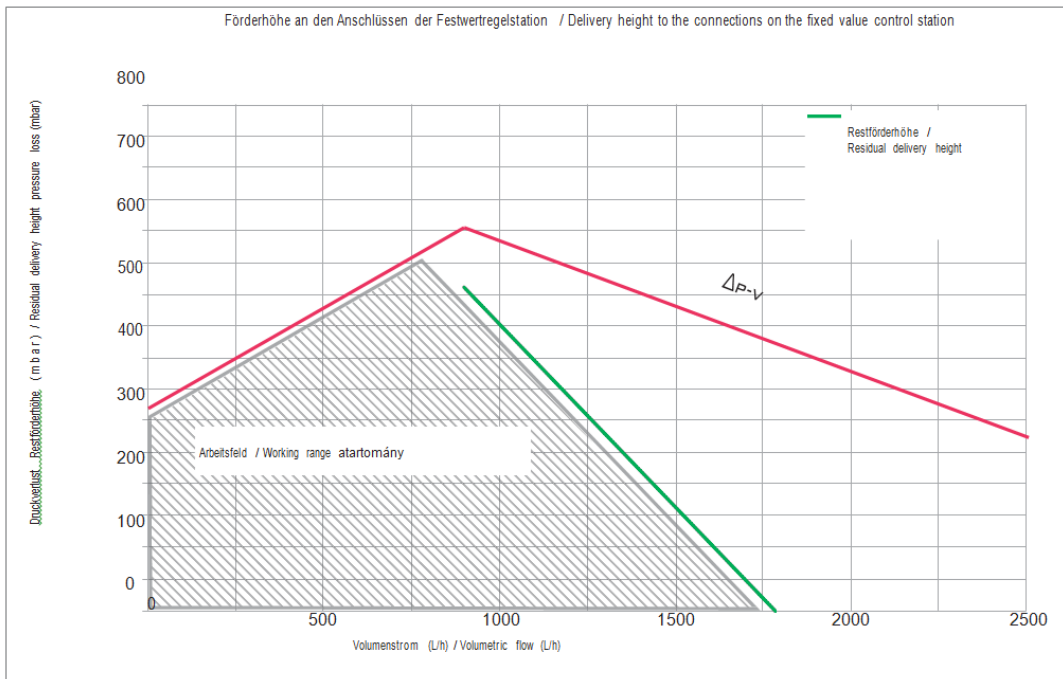
In the event of malfunction, the TB switches off the circulating pump to prevent overheating of the floor heating system. To avoid undesired activation, the temperature on the TB should be set several degrees above the desired flow temperature. In practice the usual maximum temperature value is approx. 55 °C. That corresponds to the factory setting of the TB. If necessary this maximum temperature must be adapted to the local conditions.

If all floor heating circuits are equipped with actuators and no pump relay is used, the TB should be installed on the supply branch of the manifold.

**5.4 Adjustment circulation pump**

A variable differential pressure curve is recommended ( $\Delta p = \text{var.}$ ). If an additional primary pump is used, it should also be operated with this.

**5.5 Available delivery head on circuit points**



## 6. START-UP

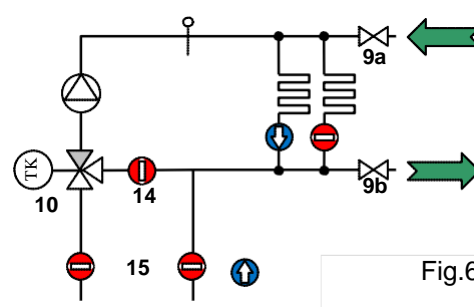
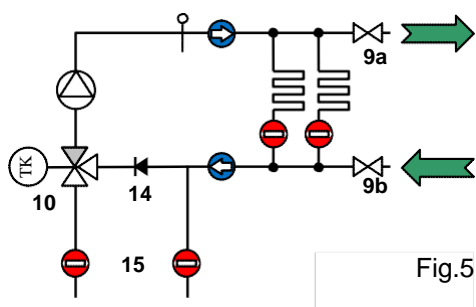
### 6.1. FLUSHING THE HEATING CIRCUITS

Connect the control unit to the heating system. Shut off from the boiler circuit (using the ball valves (15) supplied with the manifold or via a shut-off device mounted on site). Switch off the pump and close all heating circuits at the manifold. It is sufficient to close only the valves in the return collector of the HKV using the protective caps.

Fill the manifold and the Isomix-F with heating water in accordance to VDI2035 first. Connect the fill hose to the KFE cock mounted on the manifold return branch (Fig.5\_9b) and the discharge hose to the KFE cock on the manifold supply branch (Fig.5\_9a). Heating circuits shall be closed. Open the KFE cocks until water discharges on the KFE cock in the supply. Close both of the cocks.

To fill and rinse the heating circuits connect the fill hose to the KFE cock on the supply branch of the manifold (Fig.6\_9a) and the drain hose to the KFE cock on the return branch of the manifold (Fig.6\_9b). Open the circuit to be filled and rinsed. Afterwards open the KFE cock and flush the loop until air and any impurities are completely removed from the circuit. The check valve (14) in the bypass of the 3-way-mixing valve prevents a short-circuit when rinsing the heating loops.

Repeat that procedure for all heating circuits.



**Important:** It should be rinsed only in the flow direction, i. e. the rinsing water has to enter at the KFE cock on the supply branch of the manifold and discharging via KFE cock on the return branch of the manifold!

The drain/discharge connection must always be open; otherwise the high water pressure could damage the heating system. Also read the instructions on flushing as outlined in the installation/operating instructions for the heating circuit manifold.

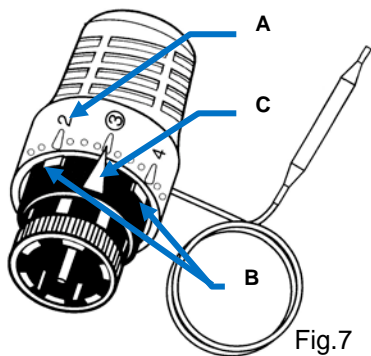


Fig.7

**6.2. ADJUSTMENT OF THE FLOOR HEATING FLOW TEMPERATURE**

The flow temperature may be adjusted gradually between 20 to 70 °C (68 to 158 °F). The regulating hand wheel of the thermostat is supplied with a scale 1-7 (Fig.7\_A). Please see the temperatures set on the scale in the table below:

1	2	3	4	5	6	7
20 °C	28 °C	37 °C	45 °C	53 °C	62 °C	70 °C
68 °F	82.4 °F	98.6 °F	113 °F	127.4 °F	143.6 °F	158 °F

**6.3. LIMITATION OF THE FLOOR HEATING FLOW TEMPERATURE**

As a rule, the flow temperature in floor heating systems should not be higher than 50 °C (120 °F). However, the data of the floor heating system can deviate and should be considered. The flow temperature of the system is often lower than the adjustable maximum value of the thermostat. To avoid damages in the floor structure caused by excess temperature, the flow temperature set value may be defined and limited on the thermostatic head.

Therefore, it is most important to set the determined value and check it by means of thermometer during operation of the floor heating system. If it is correct, place the blocking elements (Fig.7\_B) right before and behind the pointer (Fig.7\_C).

Furthermore the temperature set value can be protected against inadvertent manipulation using the tamper-proof cover (accessory: SE148GA).

**7. MODE OF OPERATION OF THE CONTROL UNIT**

The mixing valve is designed as a proportional controller and operates without auxiliary energy. The thermostat situated in the supply is in continuous contact with the flow temperature at all times.

Deviations from the target value result in an immediate change in valve stroke and, accordingly, a change in the volume of the hot water injected from the boiler circuit.

The injected water volume is mixed with the return water from the manifold at the inlet to the circulation pump and, in this way, keeps the flow temperature constant within a narrow temperature range.

**8. TECHNICAL DATA / MATERIALS**

Admissible ambient temperature range:	0...40 °C (32...104 °F) <sup>1)</sup>
Admissible operating flow temperature range:	0...80 °C (32...176 °F) <sup>1)</sup>
Maximum operating pressure:	6 bar (87 psi)
Flow temperature setting range:	20...70 °C (68...158 °F)
Rated heat output:	approx. 14 kW <sup>2)</sup>
Power supply:	230 VAC – 50 Hz
Fittings:	Brass Ms 58
Pipes:	Brass Ms 63 or stainless steel
Plastic:	Impact- and temperature resistant
Gaskets:	AFM 34 or EPDM
O-Rings:	EPDM

1) Please refer also to technical leaflets of the pump

2) The temperature set value can be protected against inadvertent manipulation using the tamper-proof cover (accessory: SE148GA)

## 9. TROUBLESHOOTING

X.	PROBLEM	
X.X	Possible cause	Solution
<b>1.</b>	<b>THE HEATING CIRCUITS OF THE FLOOR HEATING (FH) ARE NOT HEATED UP</b>	
<b>1.1</b>	The temperature limiter (TB) switches off the circulating pump of the control unit. <u>Cause:</u> TB is set to a very low value.	Set the TB by approx. 10 K higher than the required flow temperature for FH. ⚠ Take into consideration the max. admissible flow temperature! ⚠ Differential gap of the TB: approx. 6 K. 🔧 The unit restarts quicker if the TB is removed from the unit for a short time to allow a faster cooling down to switch-on temperature.
<b>1.2</b>	The TB switches off the circulating pump of the control unit. <u>Cause:</u> Initially, the circulating pump remains switched on even when all of the floor heating circuits are blocked. The "idle running" of the pump without water circulation heats up the water due to waste heat of the pump motor. On reaching the maximum temperature, the TB switches off the circulating pump!	Remove the TB from the compact control unit and install it at the supply line or, eventually, at the return line of the heating circuit manifold.  Use an electrical connecting box with pump relay (pump logic). Thanks to the relay, the circulating pump operates only if at least one heating circuit of FH is opened (requires heat).
<b>1.3</b>	The circulating pump is connected to a room-temperature thermostat or to an electrical connecting box. If all the actuators close, the pump is switched off. If the idle period is longer, the supply water for FH is cooled down. Therefore, the injection mixing valve opens and hot water is injected from the primary circuit. As a result, the control unit is heated up. On reaching the TB's switch-off temperature, the contact opens. The pump will not switch on again.	Remove the TB from the compact control unit and install it at the supply line or, eventually, at the return line of the heating circuit manifold. <i>Subsection 1.1 should also be taken into consideration.</i>
<b>2.</b>	<b>THE SUPPLY WATER TEMPERATURE CANNOT BE SET TO THE REQUIRED VALUE OR IT FLUCTUATES WITHIN A VERY WIDE RANGE</b>	
<b>2.1</b>	The compact control unit's supply (inlet) pipe and return (outlet) pipe are misconnected.	Check all inlets and outlets of the compact control unit for correct connection. Supply inlets and return outlets are marked with stickers. Please take into account Fig. 2 and 3.
<b>2.2</b>	The circulating pump's pressure head/pump stage is set at a very high value.	Increase the rotation frequency, the pump's pressure head/pump stage, respectively.
<b>2.3</b>	The heating load is too big for the control unit used, i.e., the heat consumption exceeds the rated heat output of the compact control unit. This state may set in temporarily, e.g., in case of heating a "cold" floor for the first time.	Check the maximum heat consumption and compare it with the rated heat output. If necessary, distribute the heating circuits to a second control unit with a respective manifold. If the cause is in the initial heating up of a given floor heating system, the function may be normalized after the heating up phase. This is possible chiefly in an operating mode within the top values of the rated power.
<b>2.4</b>	Thermostatic head is defective	Replacement of thermostatic head.