

CS

Antipollution insert checkvalve - EB type
System 01

Technical Data Sheet



Description

CS checkvalves are compliant with the regulation of NF Antipollution brand. According to the NF EN 1717, these EB type checkvalves, are incorporated in a device, and guarantee the protection of drinking water against a risk of pollution from a fluid of category 2.

- Same contours in open and closed position (stem of valve doesn't protrude)
- Made with specific materials CS checkvalve is resistant to chemical fluids
- Variable outlet system, facing side or rear side.
- Meets the requirements of all European approvals

CS

Antipollution insert checkvalve - EB type - System 01



DN	PFA in bar	PS in bar				Cat.	Ref.	Weight Kg
		L1	L2	G1	G2			
10	10	10	10	10	10	4.3	2224159	0,012

Important notice :

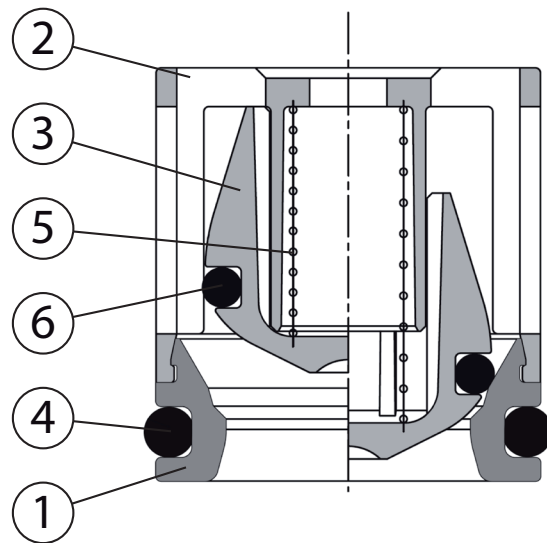
The temperature and pressure indications given for the various categories of fluids (L1/L2/G1/G2) are under no circumstances a guarantee that they are suitable for your system. Therefore, it is essential to validate the use of the products under given operating conditions with our technical department. In addition, the operating instructions are available on our website www.socla.com or by simply asking our sales department.

Technical features

Operation temperatures	Continuous -10°C up to 65°C / Maxi. : 90°C 1h per day
Permissible operating pressure (PFA) in water	See table above
Maximum permissible pressure (PS) other mediums	See table above
Connection	Incorporation in a device
Mediums	Clear liquids, drinking water, gaz

Nomenclature et matériaux

N°	Description	Materials
1	Body	PSU
2	Guide	PSU
3	Obturator	PSU
4	O'ring	NBR (Nitrile)
5	Spring	Stainless steel
6	Seal	EPDM



Approvals

ACS



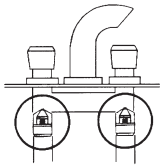
kiwa



International Construction Standards :

Specific NF brand regulation (technical doc. n°6 : antipollution checkvalve)
NF EN 13959

Application



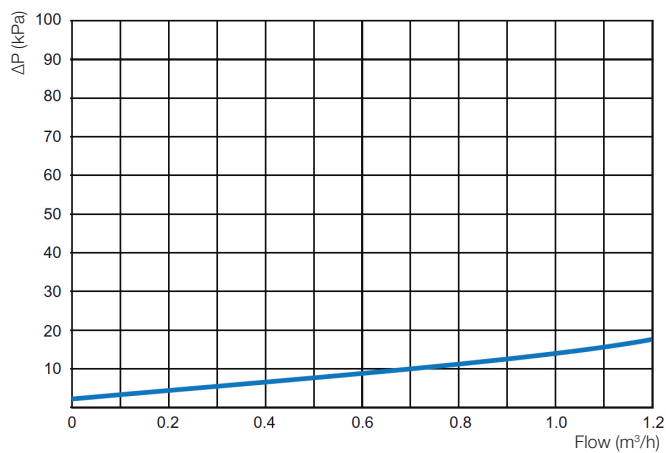
EB type checkvalve incorporation :

Can be fitted on any application which need high temperature operating or use chemicals.

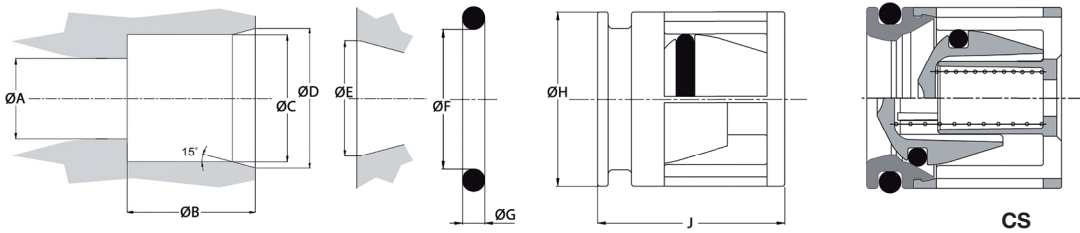
- Sanitary taps
- Boilers
- Water heater
- Pumps and various applications for water treatment
- ...

Operation

CS - Headloss chart



Sizing



Ref.	DN	ØA	ØB	ØC	ØD	ØE	ØF	ØG	ØH	J
	mm	mm	mm	mm	mm	mm	mm	mm	mm	mm
2224159	10	11,7	10,7 ^{+0,1} ₋₀	15 ^{+0,1} ₋₀	15,5 ^{+0,1}	14,6 ^{+0,1}	11,1	1,78	14,9 ⁺⁰ _{-0,1}	16 ^{+0,15}

The descriptions and photographs contained in this product specification sheet are supplied by way of information only and are not binding. Watts reserves the right to carry out any technical and design improvements to its products without prior notice. Warranty : All sales and contracts for sale are expressly conditioned on the buyer's assent to Watts terms and conditions found on its website at www.watts.com. Watts hereby objects to any term, different from or additional to Socla terms, contained in any buyer communication in any form, unless agreed to in a writing signed by an officer of Watts.



WATTS INDUSTRIES France

1590 avenue d'Orange • CS 10101 Sorgues 84275 VEDENE CEDEX • France
 Tel. +33 (0)4 90 33 28 28 • Fax +33 (0)4 90 33 28 39
contact@wattswater.com • www.wattswater.co.uk