

CO

Antipollution insert checkvalve - EB type
System 01

Technical Data Sheet



Description

CO checkvalves are compliant with the regulation of NF Antipollution brand.

According to the NF EN 1717, these EB type checkvalves, are incorporated in a device, and guarantee the protection of drinking water against a risk of pollution from a fluid of category 2.

- Minimum head loss
- Noiseless operation due to a split obturator
- Does not generate hammering
- Easy incorporation due to an already mounted O'ring
- Meets the requirements of all europeans approvals
- Axial guidance obturator with return spring
- Absolute sealing at high or low back pressure ensured by an especially designed lip-seal



CO

Antipollution insert checkvalve - EB type - System 01

DN	PFA in bar	PS in bar				Cat.	Ref.	Weight Kg
		L1	L2	G1	G2			
10	10	10	10	10	10	4.3	2224016	0,0013
13	10	10	10	10	10	4.3	22019386	0,002
14	10	10	10	10	10	4.3	2224017	0,0014
15	10	10	10	10	10	4.3	22019346	0,002
20	10	10	10	10	10	4.3	22019264	0,004

Important notice :

The temperature and pressure indications given for the various categories of fluids (L1/L2/G1/G2) are under no circumstances a guarantee that they are suitable for your system. Therefore, it is essential to validate the use of the products under given operating conditions with our technical department.

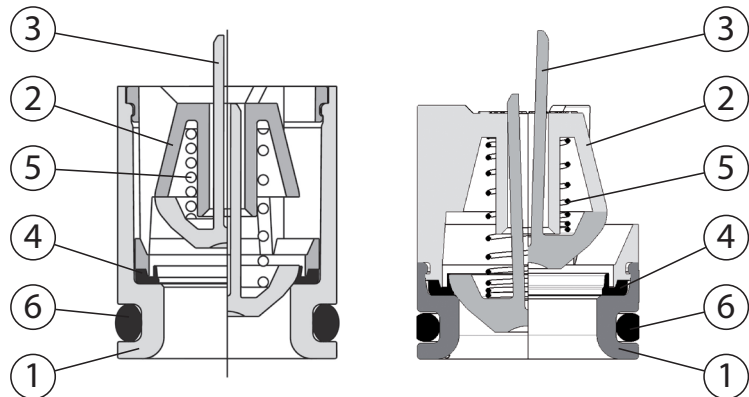
In addition, the operating instructions are available on our website www.socla.com or by simply asking our sales department.

Technical features

Operation temperatures	Continuous -10°C up to 65°C / Maxi. : 85°C (in case of an accidental peak during 1h)
Permissible operating pressure (PFA) in water	See table above
Maximum permissible pressure (PS) other mediums	See table above
Connection	Incorporation in a device
Mediums	Clear liquids, drinking water, gaz

Nomenclature and materials

N°	Description	Materials
1	Body	POM
2	Guide	POM
3	Obturator	POM
4	Seal	EPDM
5	Spring	Stainless steel
6	O'Ring	EPDM



Approvals

ACS



kiwa



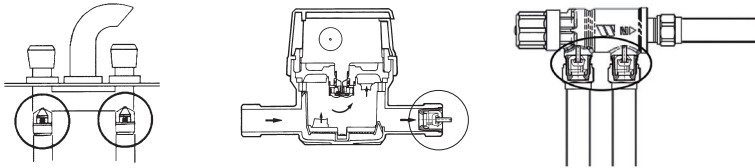
WRAS



International Construction Standards :

Specific NF brand regulation (technical doc. n°6 : antipollution checkvalve)
NF EN 13959

Application



CO checkvalves protect the drinking water network from backflow due to back pressure or back siphonage.
CO checkvalves are incorporating in :

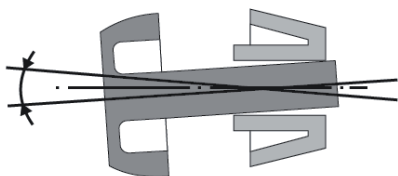
- Sanitary taps (kitchen, bathroom etc..)
- Water meter
- Thermostatic mixing valve (INSTAmix)
- Vending machine (coffee machine, water cooler, beverage dispenser..)

Fonctionnement

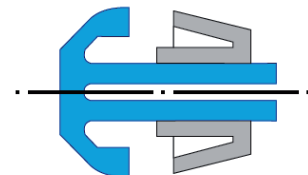
Some vibrations can occur at low flow rates. These vibrations are generated by possible lateral movements of the valve.
Until now it was impossible to avoid this effect without affected hydraulic characteristics.

Thanks to the unique guide system by slotted stem that eliminates the possibility of movements and optimal hydraulic profile, vibration are eliminated.

By providing this guidance without the possibility of movements avoids calcareous deposits and vibration, ensuring a flowless and quiet operation for years.



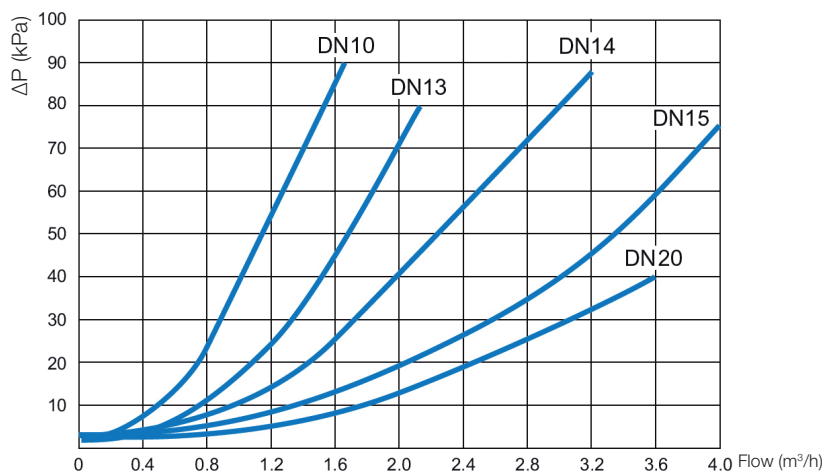
Classic obturator guidance



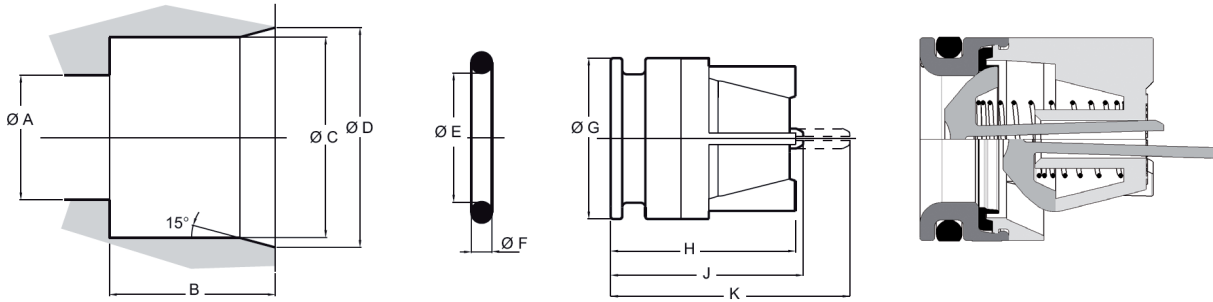
WATTS obturator guidance

Operation

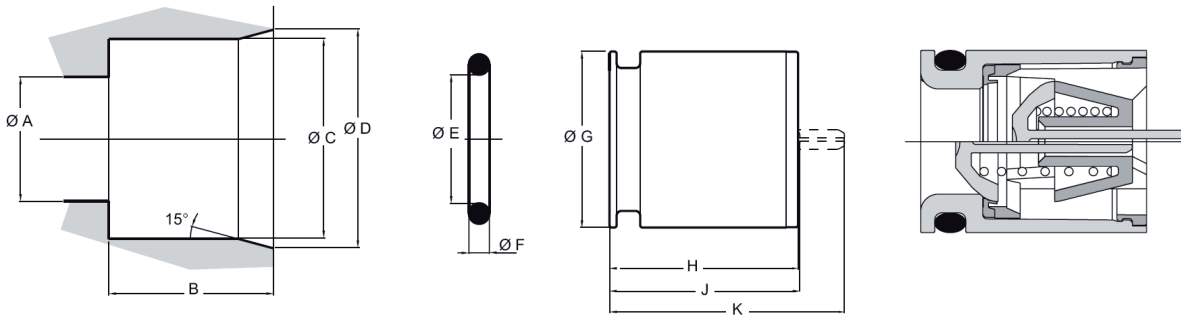
CO - Headloss chart



Sizing



Ref.	DN	ØA	B	ØC	ØD	ØE	ØF	ØG	H	J	K
	mm	mm	mm	mm	mm	mm	mm	mm	mm	mm	mm
2224016	10	7,60	10,7	10 ^{+0,1} ₀	10,7 ^{+0,1} ₀	7 ^{+0,1}	1,5	9,9	10,5 ^{+0,05}	10,65 ^{+0,15}	13,75
22019386	14	11,70	16,3	14 ^{+0,1} ₀	14,5 ^{+0,1} ₀	10,82 ^{+0,1}	1,78	13,9	16 ^{+0,05}	16 ^{+0,15} _{-0,2}	21,2



Ref.	DN	ØA	B	ØC	ØD	ØE	ØF	ØG	H	J	K
	mm	mm	mm	mm	mm	mm	mm	mm	mm	mm	mm
2224017	13	10,05	16,2 ^{+0,1} ₀	13 ^{+0,1} ₀	13,5 ^{+0,1}	9,25	1,78	12,9 ^{+0,05} _{-0,1}	16 ^{+0,1}	16,1	19,2
22019346	15	11,70	16,3 ^{+0,1} ₀	15 ^{+0,1} ₀	15,5 ^{+0,1}	11,1	1,78	14,9 ^{+0,05} _{-0,1}	16 ^{+0,15}	16,15	20,4
22019264	20	11,70	17,8 ^{+0,1} ₀	20 ^{+0,1} ₀	20,5 ^{+0,1}	16	2	19,9 ^{+0,05} _{-0,1}	17,6 ^{+0,1}	17,6	23,1

The descriptions and photographs contained in this product specification sheet are supplied by way of information only and are not binding.

Watts reserves the right to carry out any technical and design improvements to its products without prior notice. Warranty : All sales and contracts for sale are expressly conditioned on the buyer's assent to Watts terms and conditions found on its website at www.watts.com. Watts hereby objects to any term, different from or additional to Socla terms, contained in any buyer communication in any form, unless agreed to in a writing signed by an officer of Watts.

WATTS®

WATTS INDUSTRIES France

1590 avenue d'Orange • CS 10101 Sorgues 84275 VEDENE CEDEX • France

Tel. +33 (0)4 90 33 28 28 • Fax +33 (0)4 90 33 28 39

contact@wattswater.com • www.wattswater.co.uk