

Accessories

For Thermometers

Technical Data Sheet



Description

Accessories for thermometers.



G

Pocket for thermometers.

Type	Part No.	L (mm)	Connec.	Weight (kg)	Box/Master	Min. order
G-30 for TB	PGUAOTT011	30	G3/8B	0.029	1/1	1
G-50 for TB	PGUAOTT002	50	G1/2B	0.042	1/1	1
G-100 for TB	PGUAOTT005	100	G1/2B	0.051	1/1	1
G-150 for TB	PGUAOTT006	150	G1/2B	0.057	1/1	1
G-200 for TB	PGUAOTT007	200	G1/2B	0.080	1/1	1
G-300 for TB	PGUAOTT008	300	G1/2B	0.091	1/1	1
G-50/SPESEL for TB	PGUAOTT003	50	G1/2B	0.042	1/1	1
G-50 a.pressione for TBR	PGUAOTT019	50	G1/2B	0.035	1/1	1
G-75 a.pressione for TBR	PGUAOTT023	75	G1/2B	0.040	1/1	1
G-100 a.pressione for TBR	PGUAOTT020	100	G1/2B	0.050	1/1	1

Features

Materials

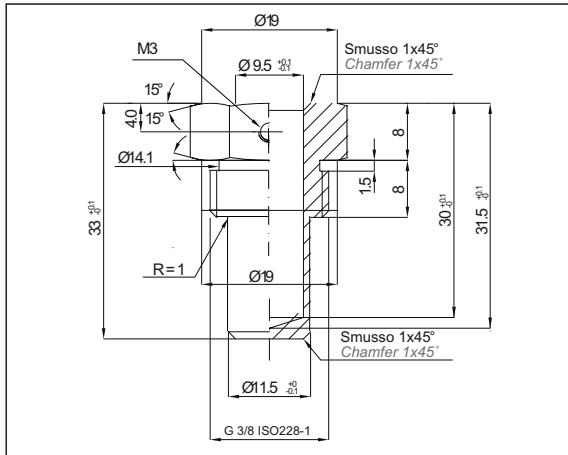
Body	Brass up to length 100 mm, above brass-cu-alloy 19 mm Ø 21 mm flats with fixing screw (TBR with o-ring fixing)
Thread connection	Brass - ISO 228-1

Technical features

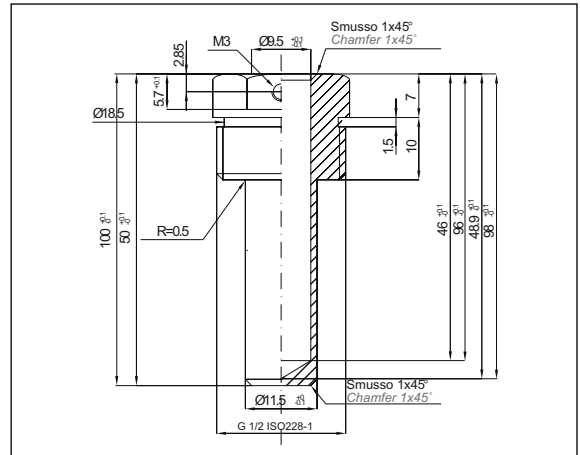
Temperature limits	Max. 500°C
Working pressure	PN 10 max

Overall dimensions (mm)

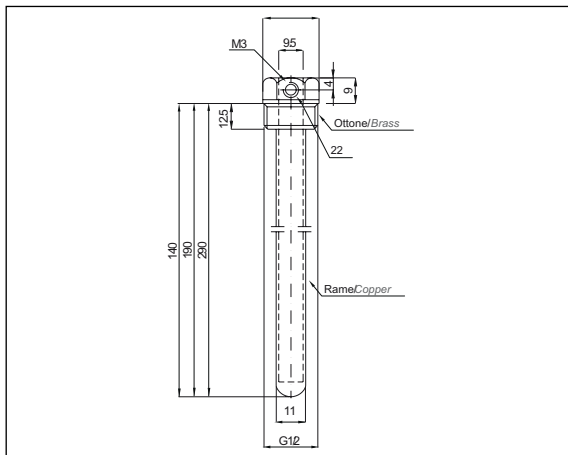
G-30 for TB



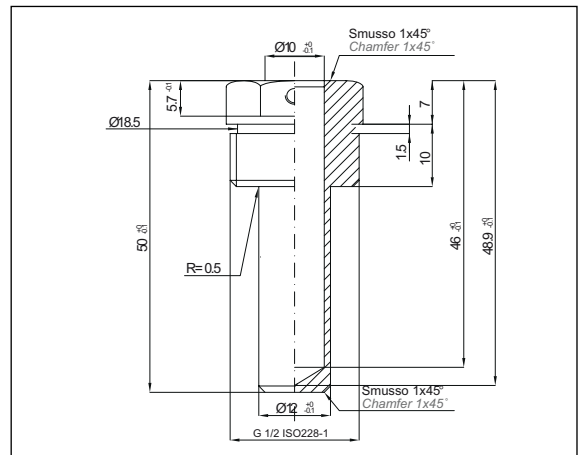
G-50-100 for TB



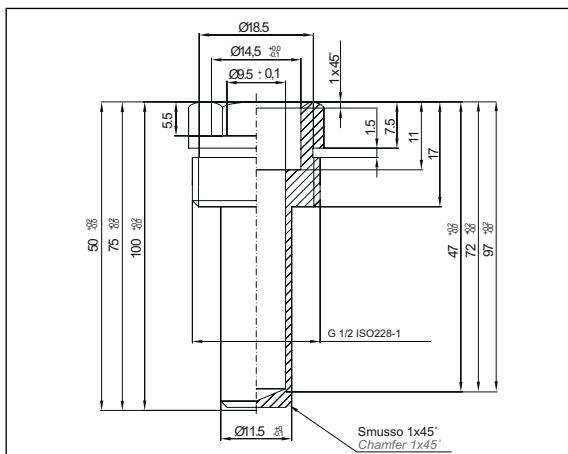
G-150-200-300 for TB



G-50 ISPEL for TB



G-50-75-100 for TBR



G-INOX

Stainless steel pocket for thermometers.



Type	Part No.	L (mm)	Connection	Box / Master	Min. order
G-INOX-50 for TB	PGUAINX006	50	G1/2B	1/1	1
G-INOX-100 for TB	PGUAINX004	100	G1/2B	1/1	1
G-INOX-150 for TB	PGUAINX013	150	G1/2B	1/1	1
G-INOX-200 for TB	PGUAINX011	200	G1/2B	1/1	1
G-INOX-63 for TBX	PGUAINX003	63	G1/2B	1/1	1
G-INOX-100 for TBX	PGUAINX014	100	G1/2B	1/1	1
G-INOX-150 for TBX	PGUAINX005	150	G1/2B	1/1	1
G-INOX-200 for TBX	PGUAINX001	200	G1/2B	1/1	1

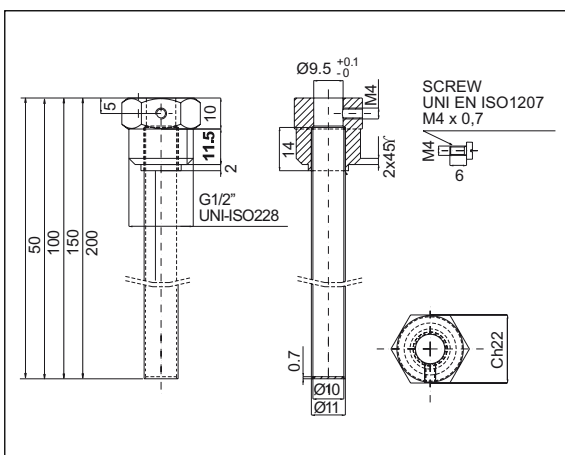
Features

Materials	
Body	Stainless steel AISI 304, 10 mm hole for stem \varnothing 9 mm
Thread connection	Stainless steel

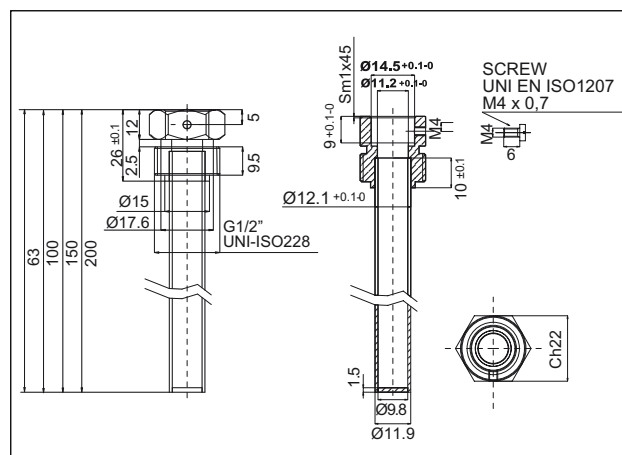
Technical features	
Temperature limits	Max. 500°C
Working pressure	PN 25 max

Overall dimensions (mm)

G-INOX-63-100-150-200 for TB



G-INOX-63-100-150-200 for TBX





SC

Bracket for thermometer stem (for ventilation ducts)

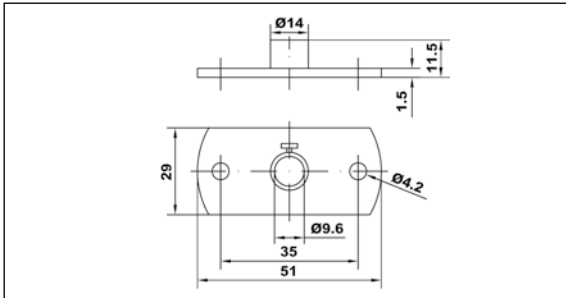
Part No.	Weight (kg)	Box / Master	Min. order
PMINACC034	0.025	1/1	1

Features

Materials	
Case and fixing screw	Zinc-plated steel
Screw	M4x5 DIN 7985

Overall dimensions (mm)

SC



MC

Spring for thermometer stem.

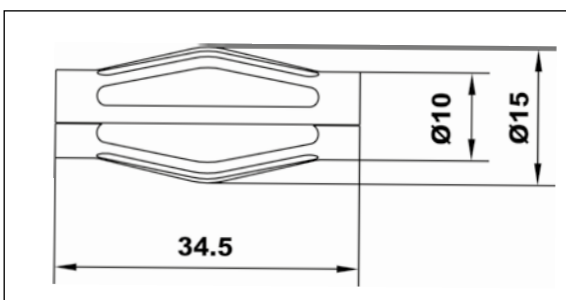
Part No.	Weight (kg)	Box / Master	Min. order
PMINACC037	0.010	20/20	10

Features

Materials	
Spring	Bluish zinc-plated steel for stem \geq 50 mm

Overall dimensions (mm)

MC





MCL

Spring clips for thermometer stem.

Part No.	Weight (kg)	Box / Master	Min. order
PMINACC049	0.003	1/1	1

Features

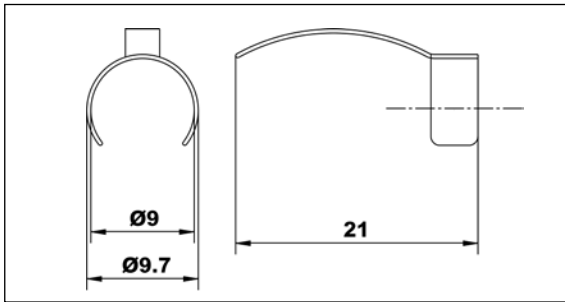
Materials

Spring

Bluish zinc-plated steel for stem 30 mm

Overall dimensions (mm)

MCL



The descriptions and photographs contained in this product specification sheet are supplied by way of information only and are not binding.

Watts Industries reserves the right to carry out any technical and design improvements to its products without prior notice. Warranty: All sales and contracts for sale are expressly conditioned on the buyer's assent to Watts terms and conditions found on its website at www.wattswater.eu. Watts hereby objects to any term, different from or additional to Watts terms, contained in any buyer communication in any form, unless agreed to in a writing signed by an officer of Watts.



Watts Industries Italia S.r.l.

Via Brenno, 21 • 20853 Biassono (MB) • Italy
Tel. +39 039 4986.1 • Fax +39 039 4986.222
infowattsitalia@wattswater.com • www.watts.com