

REDUPRESS

Pressure reducing valve

Technical Data Sheet



Description

REDUPRESS is an ideal pressure reducing valve for domestic, industrial or commercial water systems.

- Easy to fit
- Factory preset at 3 bar, adjustable from 1.5 to 5.5 bar
- The REDUPRESS can be fitted in any position
- On the market since more 20 years, Redupress is manufactured in Somme, in France in our factory unit ISO9001 certified by BVQI
- The valve system design and types of seal used ensure operation with no vibration and no banging about
- Its flow is suitable for isolated appliances, such as washing machine or hot water storage heater, it contributes to better functioning of the thermostatic mixing valves, and a controlled water consumption
- Its two female 1/4" pressure gauges outlet are located on each sides and not under the valve



REDUPRESS

Pressure reducing valve

DN	Connection	PFA in bar	PS in bar		Ref.	Weight Kg
			L1			
1/2	Female / Female	16	16		2281100	0,738
1/2	Female / Female*	8	8		2281106	0,713
3/4	Female / Female	16	16		2281116	0,693
3/4	Female / Female*	8	8		2281113	0,665
3/4	Male / Male	16	16		2281015	0,777
1/2	Female / Female with pressure gauge	16	16		2281101	-
3/4	Female / Female with pressure gauge	16	16		2281117	-

*Low pressure 1,5 bar

Important notice :

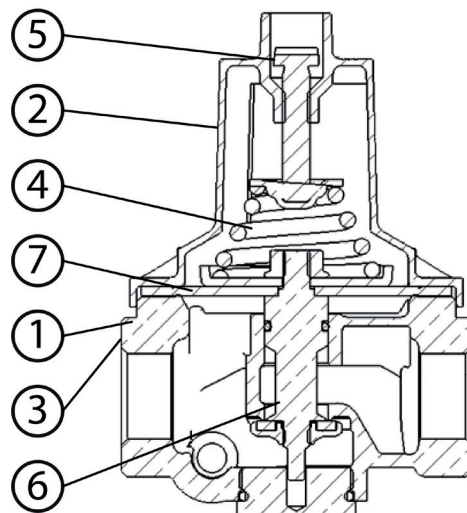
The temperature and pressure indications given are under no circumstances a guarantee that they are suitable for your system. Therefore, it is essential to validate the use of the products under given operating conditions with our technical department.

Technical features

Operating temperature	Maxi. : 80 °C
Permissible operating pressure (PFA) in water	16 bar / 8 bar low pressure
Maximum permissible pressure (PS) other mediums	16 bar / 8 bar low pressure
Gauge connection	2 female 1/4" pressure gauges outlet on each sides
Setting range	1,5 to 5,5 bar. Factory preset (3 bar functioning)
Setting range (low pressure)	0,5 to 2,5 bar. Factory preset (1.5 bar functioning)
Mediums	Water, other mediums : consult us

Nomenclature and materials

N°	Description	Materials	EURO
1	Body	Brass DZR	CB770S
2	Cap	ZAMAC	SP3
3	Finish	Nickel plated	
4	Spring	Class C1 steel	Steel SH zing white
5	Cap screw and setting screw	Stainless steel	
6	Piston	Brass	CW614N
7	Membrane	EPDM	EPDM



Approvals

ACS WRAS

Application

REDUPRESS is an ideal pressure reducing valves for domestic, commercial or industrial water systems without special requirement : individual supply for economic building sites (flats, houses...)

Low pressure models are special for any installation at low pressure requirement : irrigation, farms, laboratories...

Installation

- Before fitting Redupress, rinse the upstream pipes carefully to remove oakum, teflon, weld spatter, grit etc
- Fit the Redupress to the inlet of the water circuit that you want to protect
- The setting can be adjusted between 1.5 to 5.5 bar except low pressure models 0.5 to 2.5 bar
- To raise or lower the setting, screw or unscrew the setting screw on the top of the REDUPRESS with a screw driver
After opening then closing a valve on the downstream circuit, check the pressure on the pressure gauge
- You do not have to comply with any special position
- The REDUPRESS technical specifications do not change whichever operating plan is used
- The hexagonal plug opposite the head can be dismantled for purge or drain

Operation

Flow :

During water flow, water pressure exercised on the diaphragm decreases, which allows the spring to relax. The piston disc-yoke assembly moves towards the bottom to allow the water to pass.

Flow stoppage :

When water flow stops, the downstream pressure pushes on the diaphragm again, the spring goes back to its initial position, which leads to the valve closing, stopping water from flowing freely.

Setting

The adjustment must be done without flow ie no downstream outflow. The REDUPRESS pressure reducing valves is factory pre-set at 3 bar.

They remain adjustable within a 1.5 and 5.5 bar for standard models and from 0.5 to 2.5 bar for low pressure models.

To increase the pressure, tighten the adjusting screw (clockwise as you look at the screw from above). To reduce the pressure, undo the adjusting screw (anticlockwise as you look at the screw from above), slightly open a tap for a moment, close again, then tighten the screw again until you obtain a desired pressure.

Max. upstream pressure : 16 bar for standard models and 8 bar for lower pressure models.

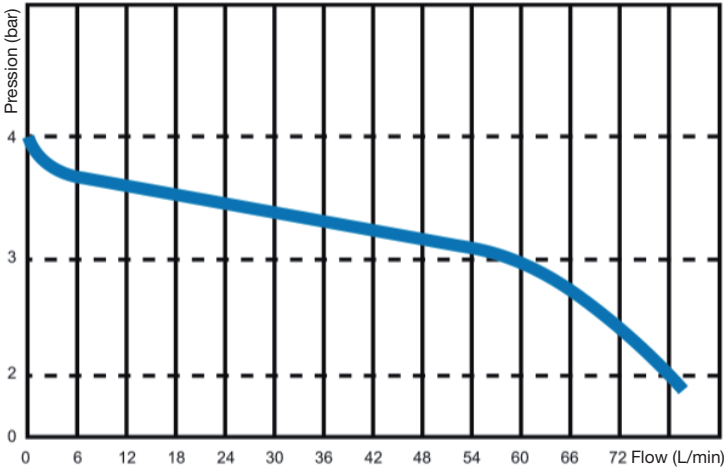
Maintenance

The REDUPRESS requires no special maintenance; nonetheless we recommend that it is fitted in an accessible place.

We do not recommend installing at the ground or in a inspection hole that increase the risk of frost and complicated installation, adjustment and maintenance operation.

Operating characteristics

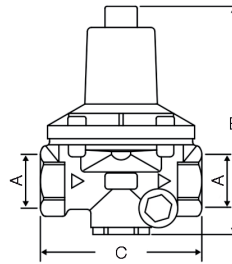
REDUPRESS - Headloss chart



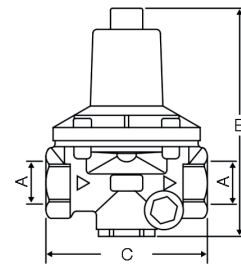
Sizing

Connection	A	B	C	D
	DN	mm	mm	mm
Female / Female	1/2	110	77	73
Female / Femelle*	1/2	-	-	73
Female / Female	3/4	110	77	73
Female / Femelle*	3/4	-	-	73
Male / Male	3/4	110	100	73
Female / Female with pressure gauge	1/2	-	-	-
Female / Female with pressure gauge	3/4	-	-	-

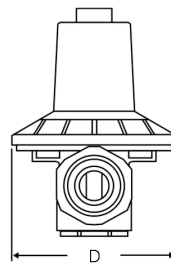
*Low pressure 1,5 bar



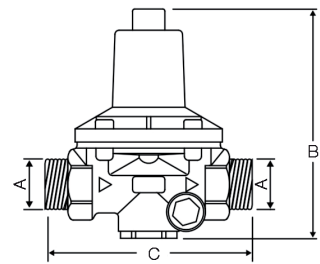
F/F 3/4"



F/F 1/2"



REDUPRESS



M/M 3/4"

The descriptions and photographs contained in this product specification sheet are supplied by way of information only and are not binding. Watts reserves the right to carry out any technical and design improvements to its products without prior notice. Warranty : All sales and contracts for sale are expressly conditioned on the buyer's assent to Watts terms and conditions found on its website at www.watts.com. Watts hereby objects to any term, different from or additional to Socla terms, contained in any buyer communication in any form, unless agreed to in a writing signed by an officer of Watts.



WATTS INDUSTRIES France

1590 avenue d'Orange • CS 10101 Sorgues 84275 VEDENE CEDEX • France

Tel. +33 (0)4 90 33 28 28 • Fax +33 (0)4 90 33 28 39

contact@wattswater.com • www.wattswater.eu