

Heat Interface Unit HIU 1

Decentralised heat interface unit for hygienic hot domestic water generation and heat distribution in district/local heating networks





PLUS

- + Hygienic domestic hot water generation
- + Low heat losses
- + EPP insulation shell as per energy saving requirements
- + Low primary return line temperatures
- + Great adjustment convenience, with constant outflow temperatures as a result
- + Sturdy wall bracket
- + Compact unit

Heat Interface Unit HIU 1

Compact, ready-to-fit decentralised heat interface unit for hygienic hot domestic water generation and heat distribution for single-family homes, terrace housing and apartment buildings.

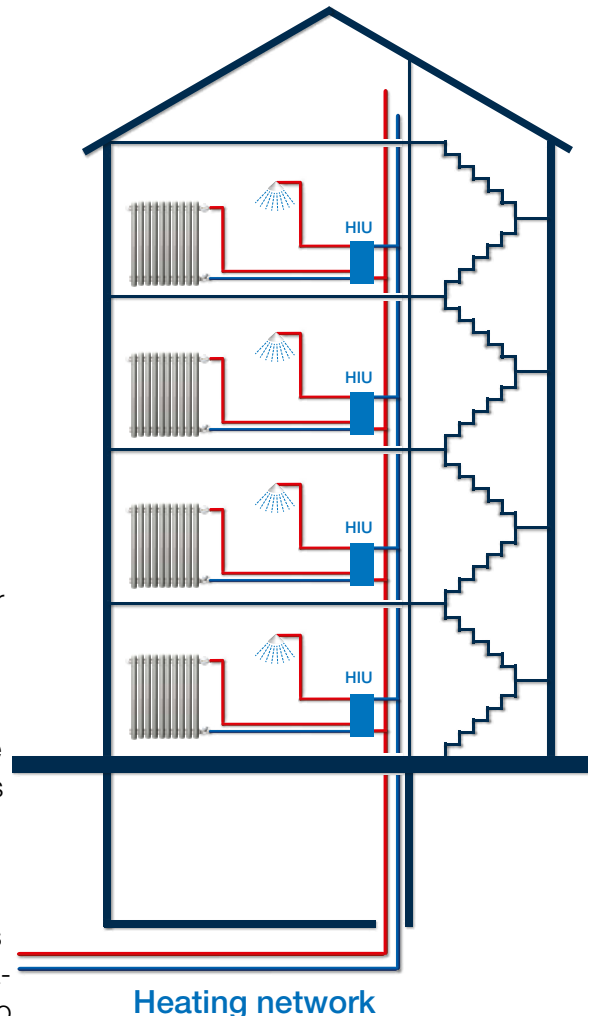
- Sturdy wall bracket
- EPP insulation shell as per energy saving regulations
- All connections to the system with $\frac{3}{4}$ " male thread and flat sealing
- Hot water priority circuit
- Outflow temperature adjustable
- Differential pressure control
- DHW outflow rate 12 l/min when DHW is heated from 10 to 45 °C at a primary flow temperature of 65 °C and at 200 mbar delta p



Function

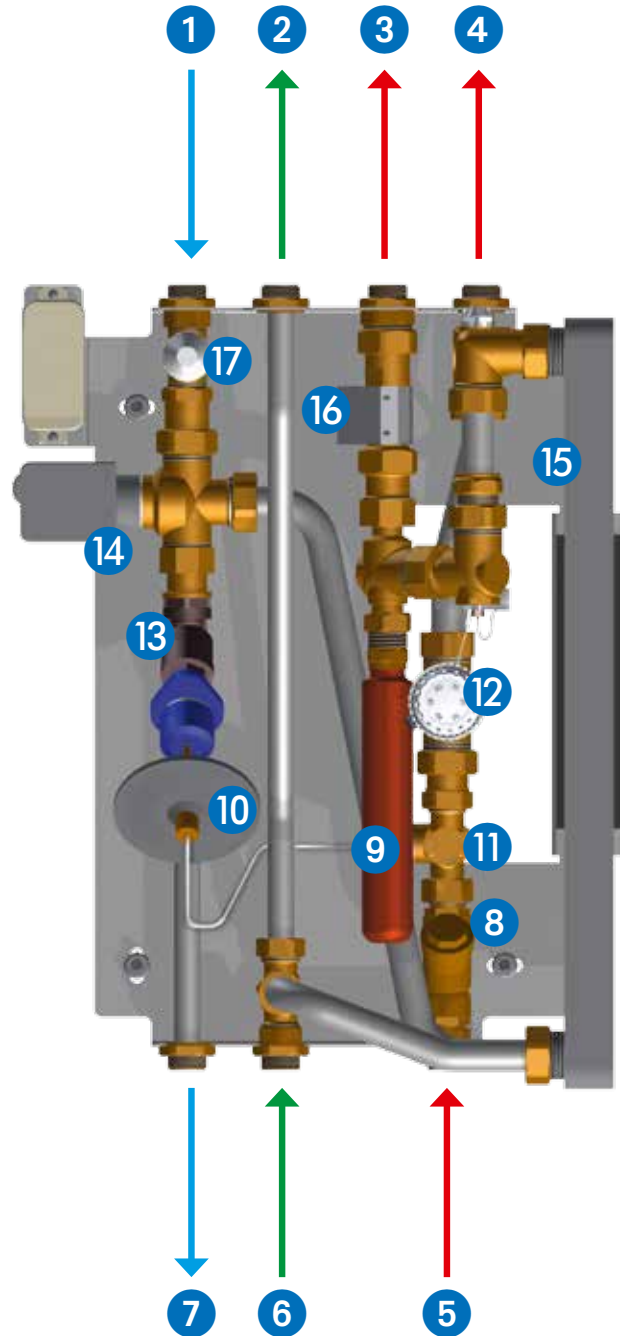
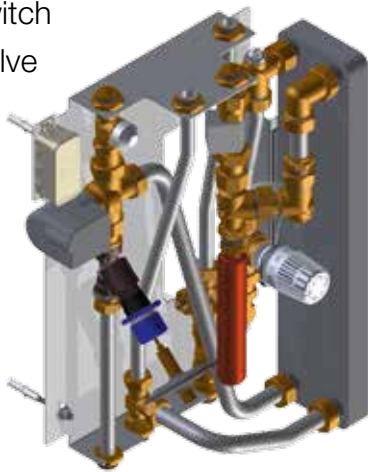
The Heat Interface Unit HIU uses the heat from local or district heating networks for hygienic domestic hot water generation. A plate heat exchanger separates the heating network circuit from the hot and cold domestic water.

The Heat Interface Unit HIU is designed in such a way that the domestic hot water generation takes priority over the heating circuit. When water is being drawn from a tap, a flow switch activates an actuator which closes the heating line temporarily. This ensures that the required domestic water temperature (adjustable using the thermostatic valve) is reached as quickly as possible. A circulation bridge may be needed to reach the pre-set domestic hot water temperature rapidly in standby mode (heating off). The circulation bridge is to be provided by the installer.

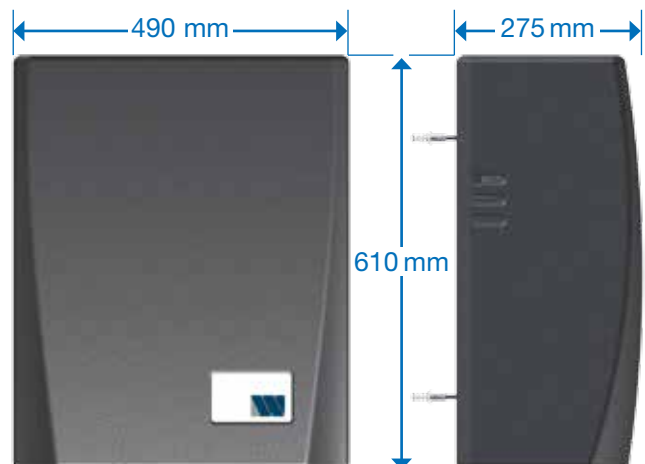
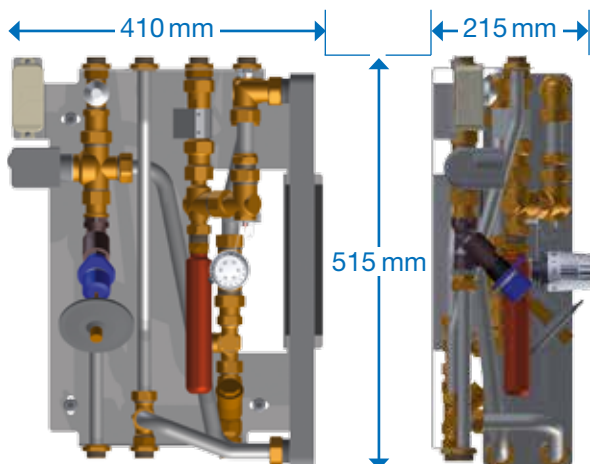


Setup

- 1 Return line heating circuit
- 2 Cold water outlet
- 3 Domestic hot water
- 4 Supply line heating circuit
- 5 Primary supply line
- 6 Cold water inlet
- 7 Primary return line
- 8 Strainer
- 9 Water hammer resistor
- 10 Membrane regulator
- 11 Measuring point for membrane regulator
- 12 Thermostatic valve
- 13 Balancing valve
- 14 Actuator
- 15 Heat exchanger
- 16 Flow switch
- 17 Zone valve



Dimensions





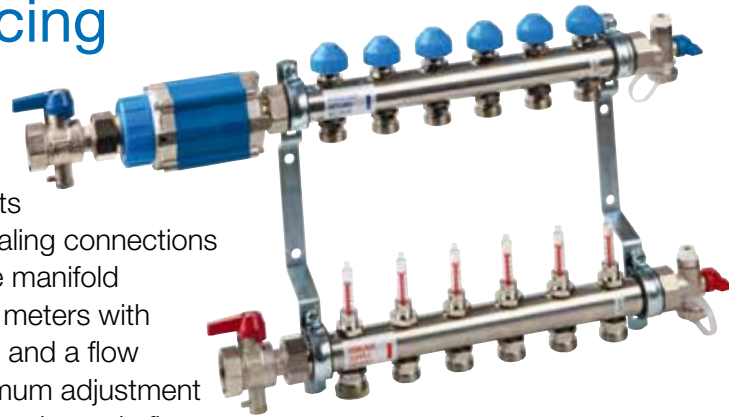
- + Over 140 years of experience worldwide
- + One provider, one system – from heat transfer and heating control through to domestic hot water generation
- + Reliable support for design planners, retailers and trade

One provider, **one system**

For over 140 years, Watts Water Technologies has been an innovative developer and manufacturer of products and solutions for drinking water, water treatment, heating and cooling. As a system provider, we will supply you with perfectly coordinated solutions, also for use on the other side of the Heat Interface Unit HIU.

HKV and MH series: Perfect solutions for distribution and balancing

The stainless steel round pipe manifold HKV can be supplied for 2-12 heating circuits and features 1" flat sealing connections for the comprehensive manifold accessories. The flow meters with very low pressure loss and a flow indicator provide optimum adjustment and monitoring for the volumetric flow rate. The MH series valves deliver automatic hydraulic balancing in radiant heating systems. Integrated to save time and costs, they deliver optimum performance and a dynamically balanced heating system throughout the entire heating season. These solutions comply with BS EN 1264.



WATTS®Vision®: this smart home system will delight your customers

The simplest way to deliver greater comfort: With **Watts®Vision®**, your customers will have heating, lighting and electrical appliances under control from anywhere and at any time. Our app for smartphones and tablets allows users to monitor energy consumption and adjust all settings comfortably and conveniently whether they are at home or away.



WattsWater.de

WATTS®

Watts Industries Deutschland GmbH
Godramsteiner Hauptstr. 167 • 76829 Landau • Germany
Tel. +49 6341 965 60 • Fax +49 6341 965 62 13
WIDE@wattswater.com • WattsWater.de